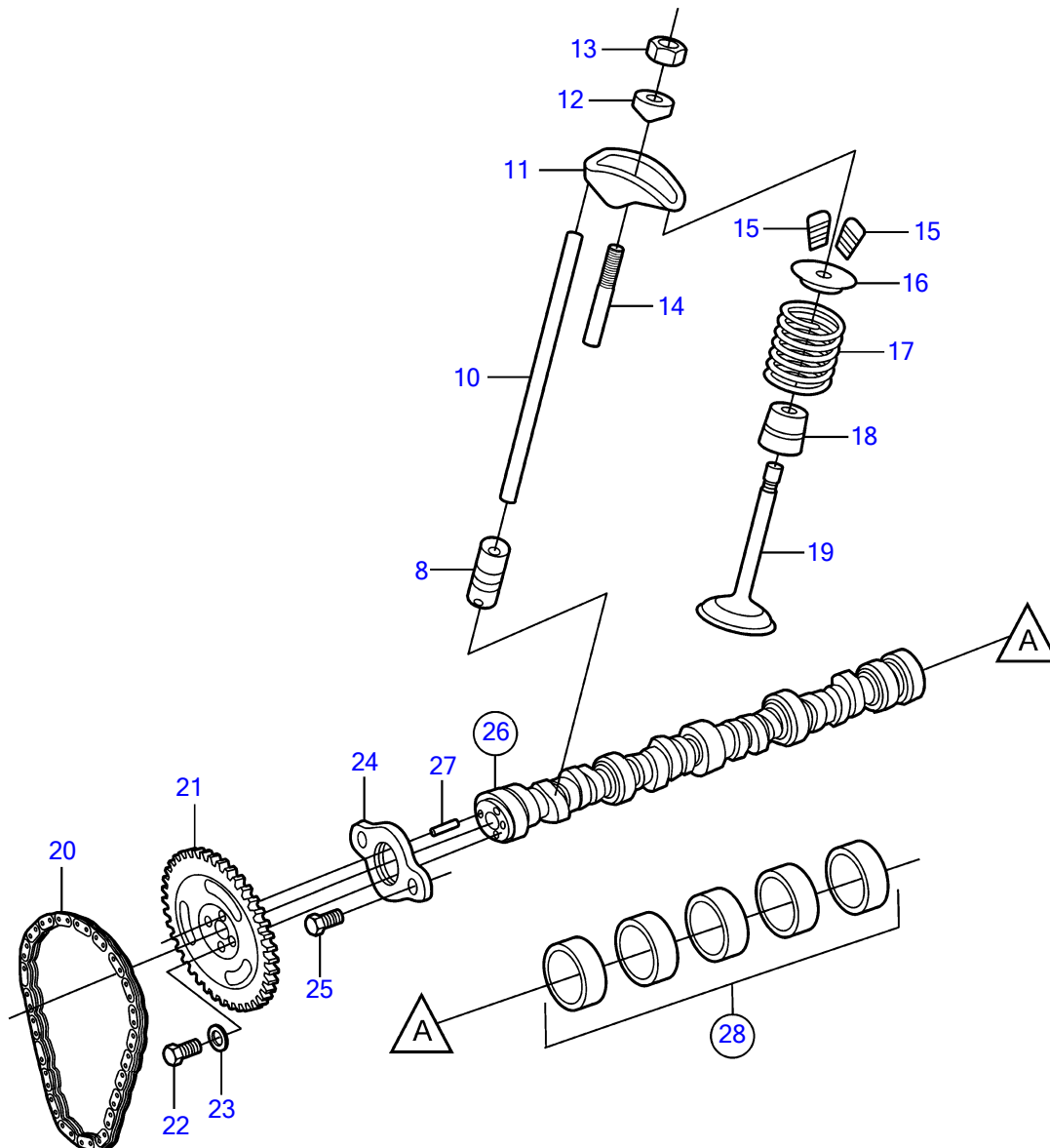
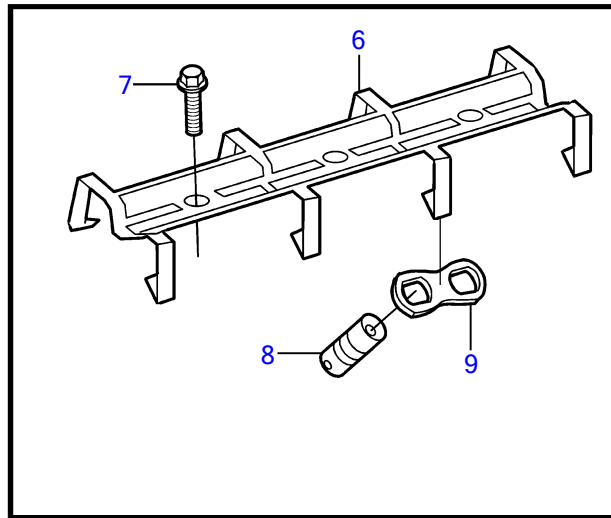
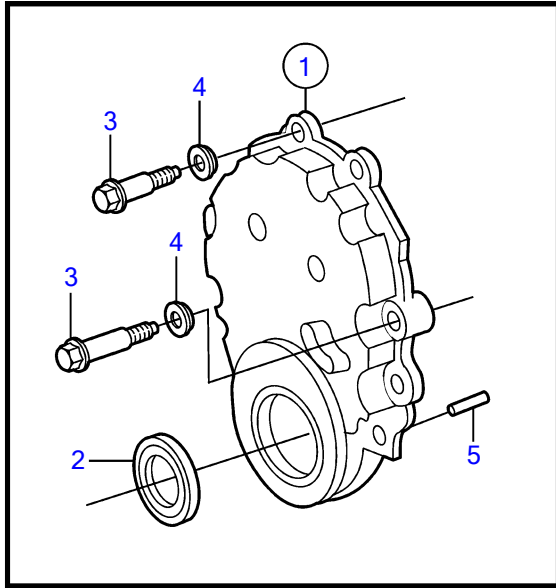


5.7GXi-C, 5.7GXi-CF, 5.7GXil-C, 5.7OSXi-A, 5.7OSXi-AF



5.7GXI-C, 5.7GXI-CF, 5.7GXII-C, 5.7OSXI-A, 5.7OSXI-AF

REF	PART NO.	QTY	DESCRIPTION	NOTES
1	3862263	1	Timing gear cover	
		1	• Gasket	
2	3862262	1	• Sealing	
3	(3855736)	2	Screw	Obsolete part
	3855737	6	Screw	
4	3855739	8	Grommet	
5	3855972	2	Pin	
6	3856144	1	Retainer	
7	(3862361)	3	Bolt	Obsolete part
8	3856127	16	Tappet	
9	3856139	8	Guide	
10	3856118	16	Push rod	
11	3861167	1	Rocker arm, roller	Set
12		16	• Ball	
13		16	• Nut	
14	(3853146)	1	Stud	O.S=0.003" (0.076mm), Obsolete part
	(3853147)	1	Stud	Obsolete part, O.S=.013" (0.330mm)
15	3855823	32	Valve cotter	
16	3855816	16	Valve cap	
17	21605360	1	Valve spring	Set of 16
18	3855814	8	Valve stem seal	Intake
	3862362	8	Valve stem seal	Exhaust
19	3855810	8	Valve, intake	Std
	3855808	8	Valve, exhaust	Std
20	3852685	1	Chain	
21	3856114	1	Sprocket	
22	3853173	3	Bolt	
23	3856151	3	Washer	
24	3855998	1	Retainer	
25	3853172	2	Screw	
26	3856119	1	Camshaft	
27	3855972	1	• Pin	
28	(3856162)	1	Kit	Obsolete part

7744230-21-9633

18616

Upd:2014-02-12